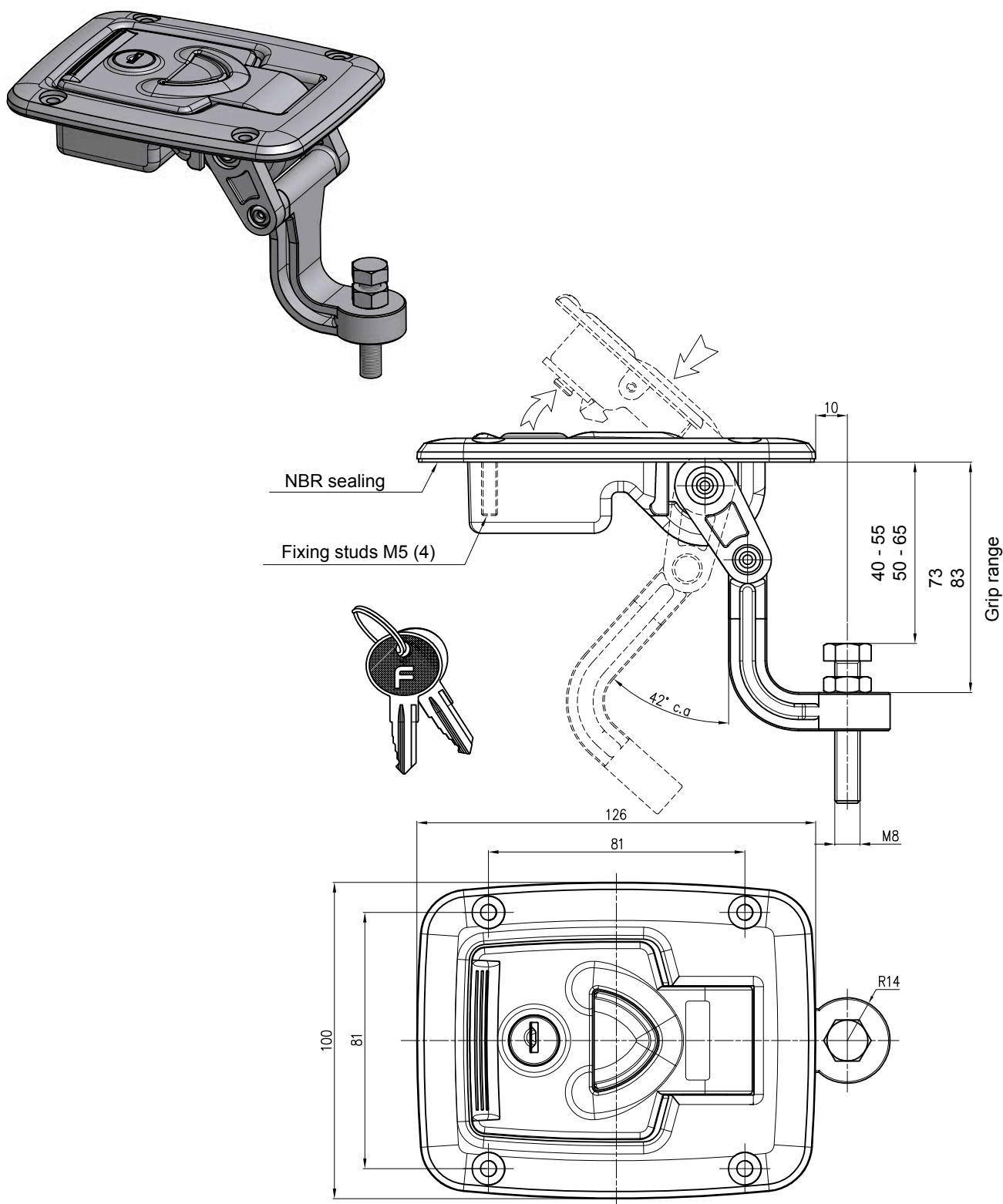


07PB0 / 07FB0 - Compression handle with key-lock, plastic



Handle part number	Fixing	Grip range	Material	Key codes	Lock specifications
07PB0.PN.KD	Studs M5	50 - 65	Plastic, black	200	Zamak zinc plated, AISI304 cover, dust shutter
07FB0.PN.KD	Holes	50 - 65	Plastic, black	200	Zamak zinc plated, AISI304 cover, dust shutter
07PB1.PN.KD	Studs M5	40 - 55	Plastic, black	200	Zamak zinc plated, AISI304 cover, dust shutter
07FB1.PN.KD	Holes	40 - 55	Plastic, black	200	Zamak zinc plated, AISI304 cover, dust shutter